



Parabolic antenna JRC-24DD-SX MIMO

Dual-polarized parabolic antenna **JRC-24 Deep Dish MIMO** is designed for directional links with MIMO mode at the frequency band 5 GHz. The antenna is designed for environments with multiple reflections for medium and short distances in difficult conditions. **Its design with deep dish increases isolation among antennas on a mast and increases front to back ratio. The new concept expands the frequency band.** The SX version includes a **stainless steel holder** for adverse corrosive conditions.

Other models: **JRC-24DD MIMO Precision** – antenna with precision holder JDMW-900 AR
JRC-24DD MIMO – standard deep dish MIMO antenna
JRC-24DD MIMO PriS – antenna for dual-polarized radio UBNT PrismStation

Electrical parameters:

Frequency range	4.9 – 6.4 GHz
Gain	24.5 ± 1 dBi
VSWR 5.1 – 5.9 GHz	≤ 1.4
Beamwidth -3 dB	9.0°
Port to port isolation 5.1 – 5.9 GHz	≥ 27 dB (rest of the freq. range ≥ 22 dB)
Front to Back ratio	≥ 44 dB
Polarization	Linear, vertical/horizontal or 45°

Mechanical parameters:

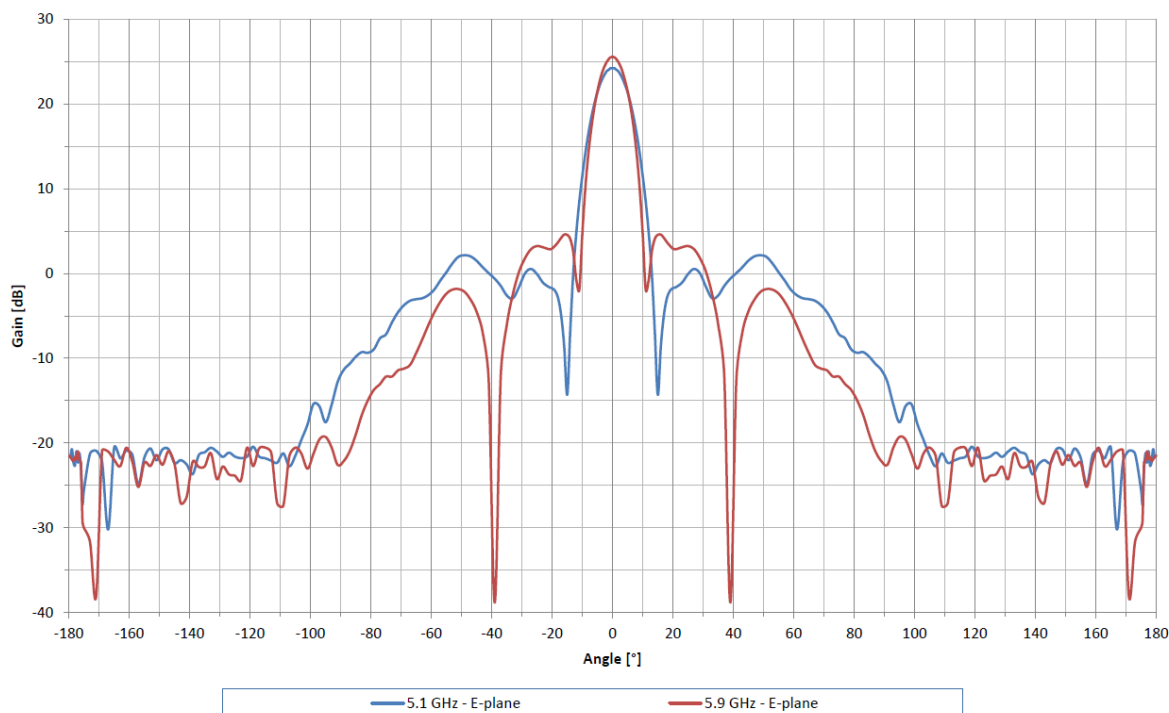
Parabola	Ø 400 mm, Aluminium alloy
Radome	UV steady plastic ABS
Type of connector	N-female, R-SMA
Installation for mast	Ø 27 - 74 mm
Weight of antenna	2.5 kg (5.5 lbs.)
Shipping dimensions - 2 pcs	460 x 460 x 190 mm / 5.5 kg (12 lbs.)

The antenna can be used in combination with the outdoor metal box JR – 250 Alu for AP, RouterBOARDS and other electronics or with holder GentleCLIP for easy installation devices with the clipped system. The antenna has separate latching nuts for easy mounting and adjustment of the azimuth and elevation. Right and left side mounting possible.

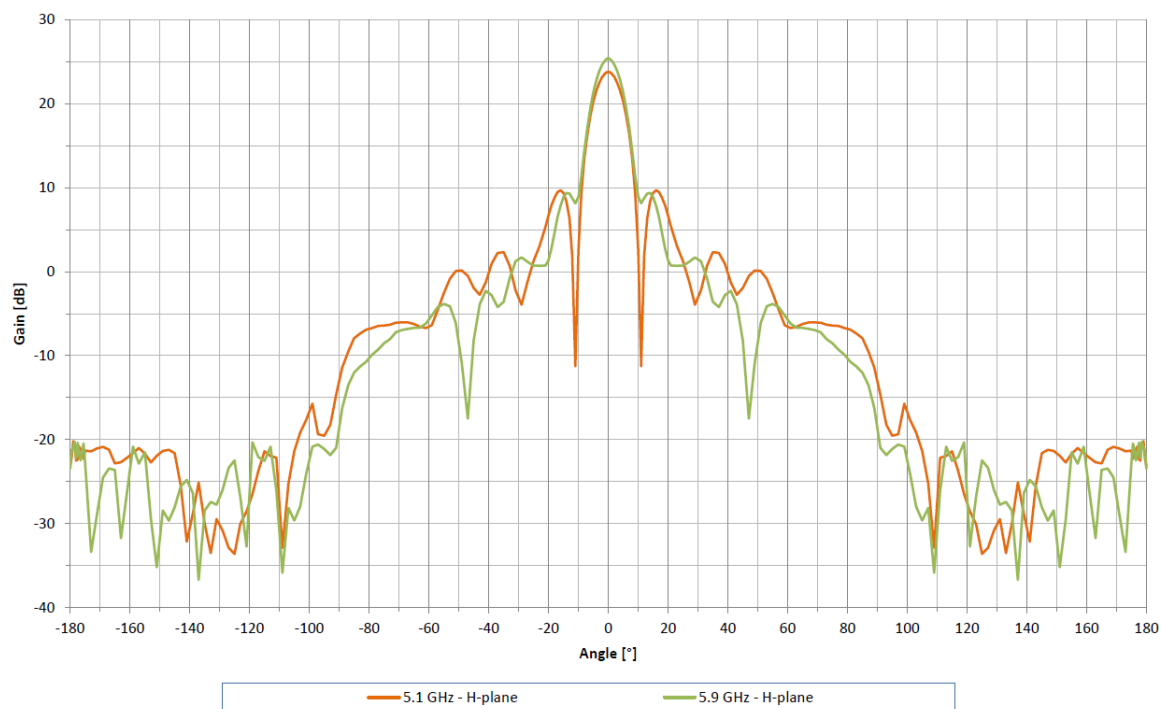
Parabolic antenna JRC-24DD-SX MIMO

Measurement of radiation pattern:

JRC-24DD MIMO - E-plane

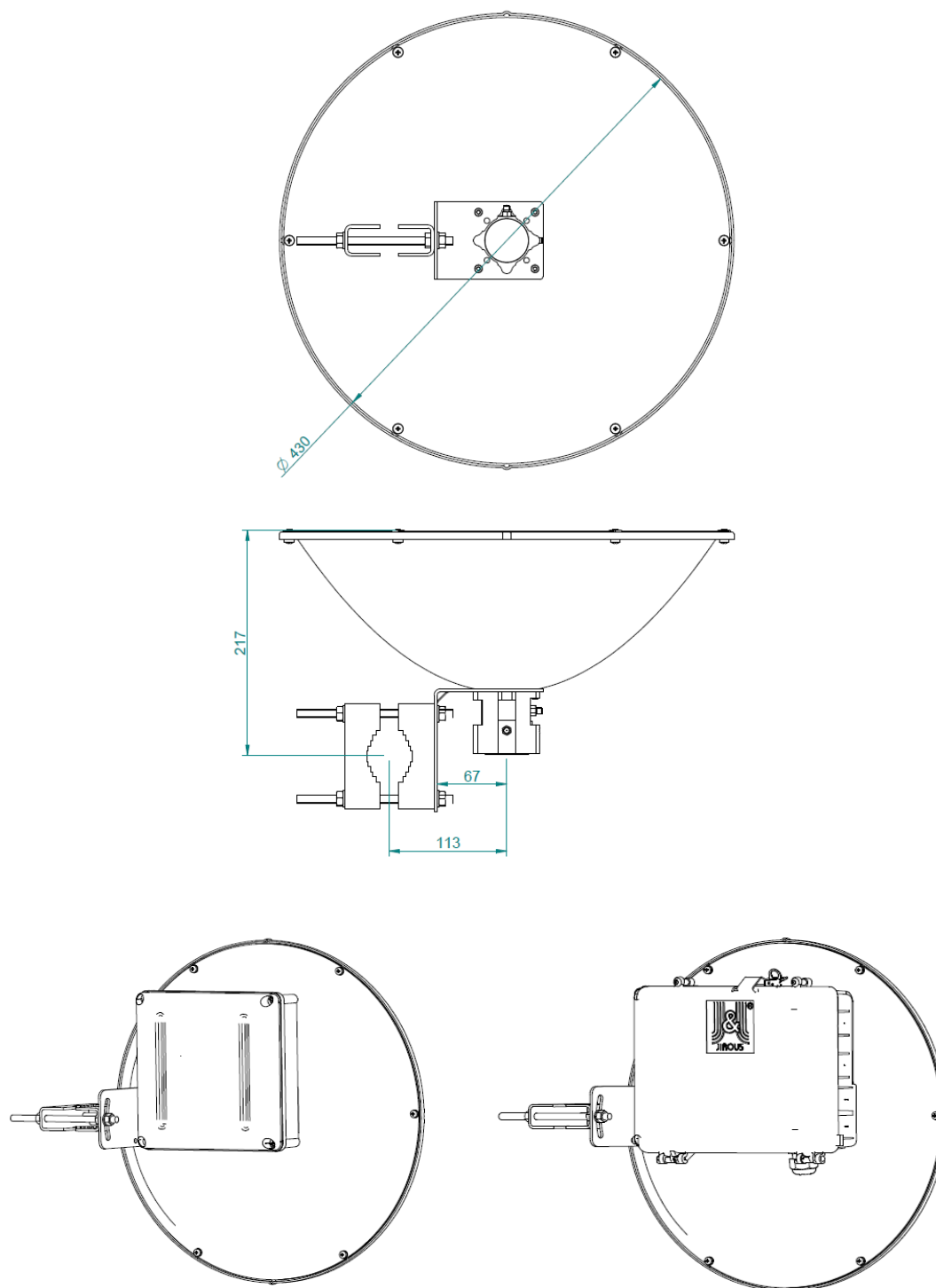


JRC-24DD MIMO - H-plane



Parabolic antenna JRC-24DD-SX MIMO

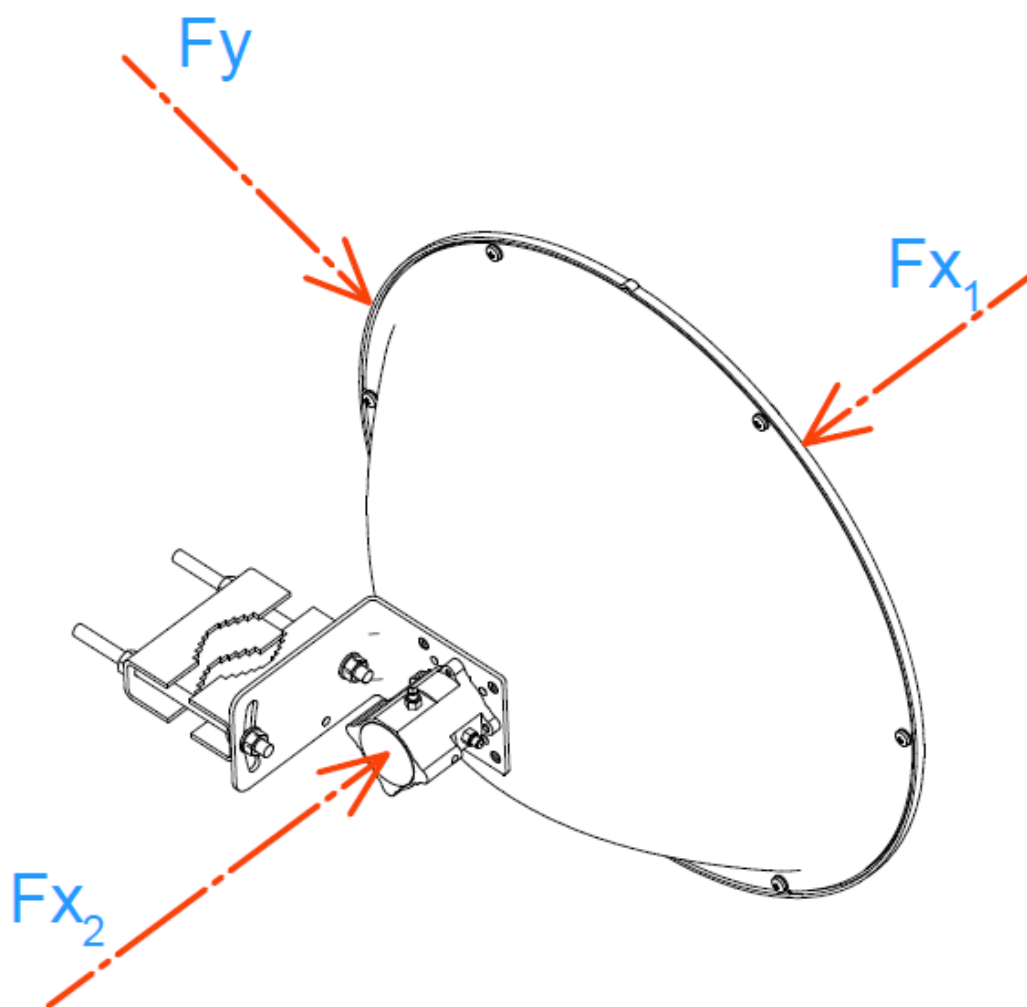
Outline:



Accessories: outdoor plastic box JR – 200 or metal box JR – 250 Alu – right side mounting only, polarization 45° not possible

Parabolic antenna JRC-24DD-SX MIMO

Wind loading:



Wind Loading 200km/h (125 mph)		
Direction	Force [N]	Force [lbf]
Fx1	344	77
Fx2	313	70
Fy	17	4